



GAMMON TECHNICAL PRODUCTS, INC.

P.O. BOX 400 - 2300 HWY 34
 MANASQUAN, N.J. 08736

PHONE 732-223-4600
 FAX 732-223-5778

WEBSITE www.gammontech.com
 STORE www.gammontechstore.com

**PRESSURE
 GAUGES**

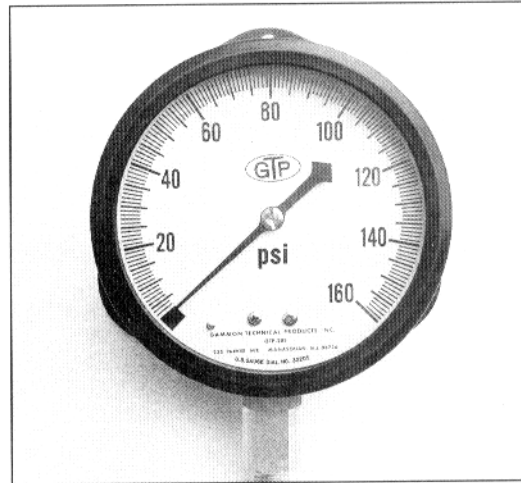
**BULLETIN 92
 (6-03)**

4 1/2" FACE, BACK FLANGE MOUNTED

MODEL No.	RANGE, PSI
GTP-281A	0-100
GTP-281B	0-160
GTP-281C	0-300
GTP-281F	0-150, 30"HgVac

SPECIFICATIONS

CASE:	Cast aluminum with blowout grommet
BEZEL RING:	Polypropylene, snap-on
WINDOW:	Acrylic
POINTER:	Slotted hub, adjustable
BOURDON TUBE:	Phosphor bronze
CONNECTION:	1/4" NPT, brass
ACCURACY:	1% of span



3-WAY VALVE FOR PRESSURE DROP TESTS

Model GTP-2305 3-Way Ball Valve was designed to assure you that pressure drop data will be obtained correctly. Now you can get reliable pressure drop data from inexperienced personnel.

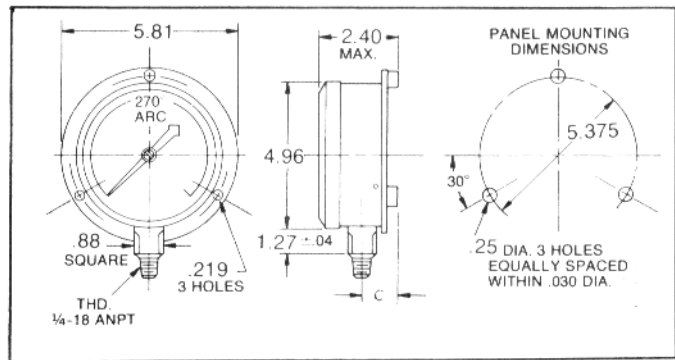
Model GTP-2305 is made of stainless steel, sealed with Teflon o-rings.

ORDERING INFORMATION

[GTP-2305](#) 3-Way Selector Valve, 1/4" NPT female

BRASS CONNECTORS	TUBING SIZE	MODEL No.
Straight	1/4"	B-400-1-4
Straight	3/8"	B-600-1-4
Elbow	1/4"	B-400-2-4
Elbow	3/8"	B-600-2-4

BACK FLANGE MOUNT



Protect your gauge investment with a snubber - reduce pressure pulsations which wear out your gauge. The snubber fits on the gauge connection and absorbs pressure surges.

[GTP-2607S](#)
[GTP-2607B](#)

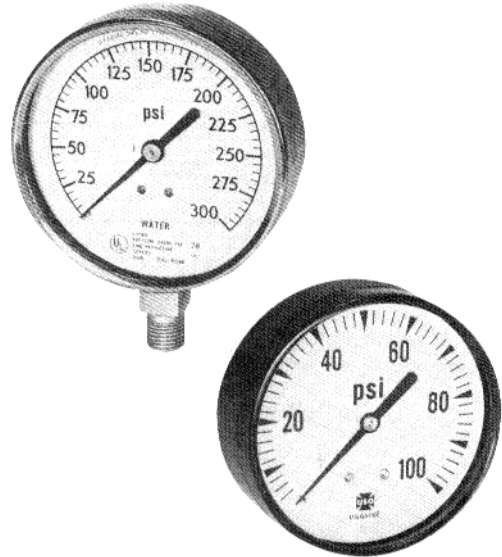
Stainless steel snubber
 Brass snubber

1 1/2", 2", 2 1/2" FACE, STEM MOUNTED

MODEL No.	FACE DIA.	RANGE, PSI	CONNECTION	SIZE, IN., NPT
GTP-1174	1 1/2	0-100	Center back	1/8
GTP-2954A	2	0-60	Center back	1/4
GTP-2954B	2	0-100	Center back	1/4
GTP-2954C	2	0-160	Center back	1/4
GTP-686A	2	0-60	Lower	1/4
GTP-686C	2	0-160	Lower	1/4
GTP-686D	2	0-300	Lower	1/4
GTP-686F	2	30"HgVac-0-150	Lower	1/4
GTP-2955B	2 1/2	0-100	Lower	1/4
GTP-2955C	2 1/2	0-160	Lower	1/4

SPECIFICATIONS

CASE:	Drawn steel
BEZEL RING:	Drawn steel
WINDOW:	Flat glass
POINTER:	Aluminum
BOURDON TUBE:	Phosphor bronze
CONNECTION:	Brass
ACCURACY:	3% of span



STAINLESS STEEL STEM MOUNTED

MODEL No.	FACE DIA.	RANGE, PSI	SPECIFICATIONS
GTP-707B	2 1/2	0/100	CASE: Drawn 316 stainless steel
GTP-707C	2 1/2	0-160	BEZEL RING: Drawn stainless steel
GTP-707D	2 1/2	0-300	WINDOW: Flat glass
GTP-2956B	3 1/2	0-100	POINTER: Aluminum, adjustable
GTP-2956C	3 1/2	0-160	BOURDON TUBE: 316 stainless steel
GTP-2956D	3 1/2	0-300	CONNECTION: 1/4" NPT, 316 stainless steel
GTP-3215B	2	30"HgVac-0-150	ACCURACY: 1% of span

LIQUID FILLED PRESSURE GAUGES

Steady pointer reading even when pressure is pulsating or in cases of excessive vibration.

4" face diameter / Type 316 stainless steel / 1/2" NPT stem mounted / adjustable pointer / shatter resistant gasketed window / ±1% range of accuracy / silicone filled

MODEL No.	RANGE, PSI
GTP-5866	0-100
GTP-5867	0-160
GTP-5868	0-300

2 1/2" face diameter / 1/4" NPT stem mounted / plastic window / stainless steel case / ± 3% of range accuracy / silicone filled

MODEL No.	RANGE, PSI	INTERNALS
GTP-5873	0-100	Brass/bronze
GTP-5874	0-100	316 stainless steel
GTP-5875	0-160	Brass/bronze
GTP-5876	0-160	316 stainless steel

