



GAMMON TECHNICAL PRODUCTS, INC.

P.O. BOX 400 - 2300 HWY 34
MANASQUAN, N.J. 08736

PHONE 732-223-4600

FAX 732-223-5778

WEBSITE www.gammontech.com

STORE www.gammontechstore.com

**AMETEK HUNTER
SPRING STATIC
BONDING REEL**

**BULLETIN 54
(10-19)**

STATIC BONDING REELS

FEATURES

- For heavy-duty applications
- Automatic retraction
- Weather-resistant finish
- 100 amp alligator clamp termination

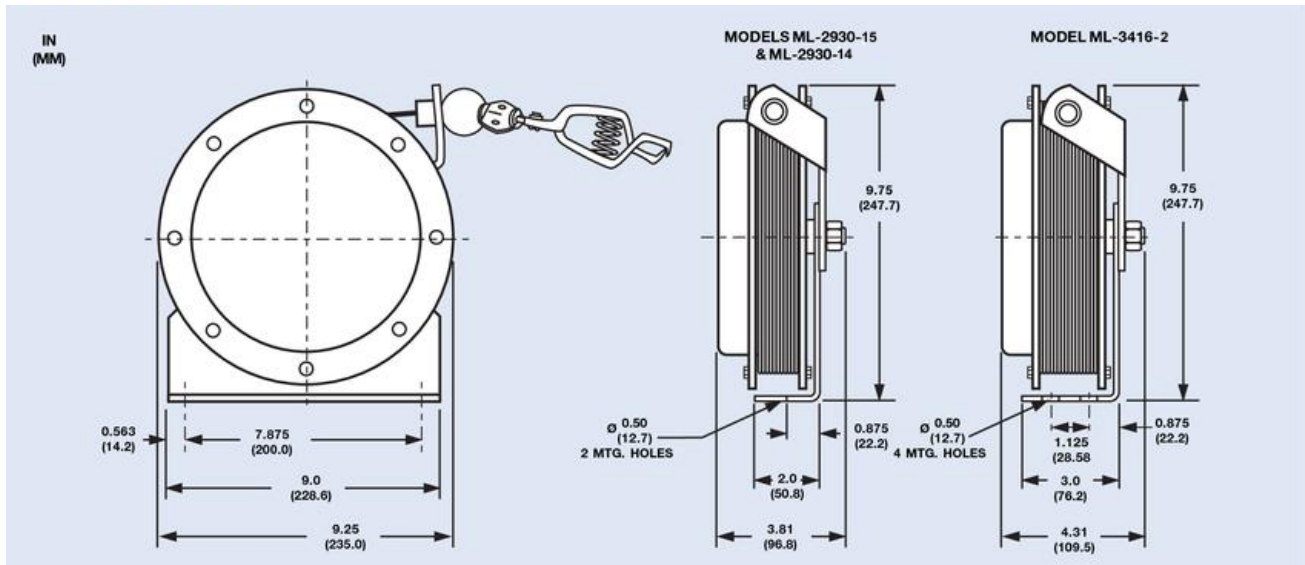


DESCRIPTION

Static Bonding Reels provide the automatic retraction and compact storage of 50, 75, and 100 foot cable and clamp assemblies. Designed to function under extreme environmental conditions, the 50 and 75 foot cable length models meet USAF MIL-R-83232B and U.S. Government specification A-A-50696.

A patented latching mechanism holds the cable at any desired length. A slight pull on the cable releases the mechanism causing retraction. Retraction need not be attended. The retraction speed is automatically governed by a special brake assembly designed to limit the retraction speed from two to seven feet per second. Steel components and a cantilever-type frame, which support the reel assembly, are designed to function under the most adverse conditions. Baked-on MIL spec red finish and gasketed drum construction protect operating parts from corrosion. Bearing surfaces are permanently lubricated.

DIMENSIONS



SPECIFICATIONS

CABLE LENGTH

Model ML-2930-15	50 feet
Model ML-2930-14	75 feet
Model ML-3416-2	100 feet

CABLE DIAMETER

See the back of this page to review the different cable clamp options.

CABLE CLAMP

See the back of this page to review the different cable clamp options.

ELECTRICAL RESISTANCE

10 ohms maximum between clamp and mounting base on all three models

LIFE CYCLE

Tested to 5,000 cycles

CABLE RETRACTION SPEED

2-7 ft./sec.

FINISH

Conforms to MIL-Std 808, red paint, Film Designation DG

PACKAGING

Conforms to MIL-P 726, Unit Pack-Level A, Shipping Pack-Level B

OPERATING TEMPERATURE RANGE:

-65° to 125° F

STORAGE TEMPERATURE RANGE:

-80° to 160° F

COMBINED CABLE LENGTH
NOT TO EXCEED DRUM CAPACITY

DRUM CAPACITY TABLE		
	DIAMETER	
	1/8 in.	3/16 in.
ML-2930-15	125 ft.	70 ft.
ML-2930-14	130 ft.	70 ft.
ML-3416-2	180 ft.	120 ft.

REEL MODEL NUMBER
ML-2930-15 (50 FEET)
ML-2930-14 (75 FEET)
ML-3416-2 (100 FEET)

LENGTH NOT TO EXCEED CAPACITY
N = NO CABLE

LENGTH "Y" NOT TO EXCEED CAPACITY
N = NO CABLE

[Empty box for Reel Model Number]

- ([] / [] - [] - []) - []

CABLE COLOR (SEE BULLETIN 98)

- C Clear plastic (only 1/8" and 3/16" diameter)
- E Yellow Hytrel (only 5/32" diameter)
- F Yellow vinyl (only 1/8" and 5/32" diameter)
- H High visibility orange (only 1/8" and 3/16" diameter)

CABLE DIAMETER

- 2 1/8" diameter
- 3 3/16" diameter
- 4 5/32" diameter

CABLE END (SEE BULLETIN 55)

- 1B Grounding plug (brass GTP-1097B)
- 1S Grounding plug (stainless steel GTP-1097S-1)
- 2 Super clamp (GTP-1101)
- 3 Clip (standard GTP-1096C)
- 4 Gator clamp (GTP-9654)

EXAMPLE:

ML-2930-15-(65/15-C-2)-3-3

Cable length is 65 feet with a 15-foot Y branch (as shown).

Cable color is clear plastic with 1/8" diameter cable and two GTP-1096C clips.

