



GAMMON TECHNICAL PRODUCTS, INC.
 P.O. BOX 400 - 2300 HWY 34
 MANASQUAN, N.J. 08736

PHONE 732-223-4600
 FAX 732-223-5778

WEBSITE www.gammontech.com
 STORE www.gammontechstore.com

**HYDROMETERS,
 THERMOMETERS,
 & ACCESSORIES**

**BULLETIN 61
 (03-21)**

HYDROMETERS & THERMOMETERS TO ASTM E-100 STANDARDS

API GRAVITY RANGE	W/THERMOMETER	DIV.	LENGTH (MM)	ASTM NO.	GTP NO.
29-41	0-150° F	2°	380	S554HL	GTP-1680GB
37-49	0-150° F	2°	405	S561HL	GTP-9155GB
39-51	NO	2°	335	5H	GTP-1676
39-51	0-150° F	2°	330	S555HL	GTP-915GB
49-61	0-150° F	2°	380	S556HL	GTP-1681G
59-71	0-150° F	2°	380	S557HL	GTP-1682GB
64-76	0-150° F	2°	405	S562HL	GTP-9185GB
69-81	0-150° F	2°	380	S558HL	GTP-1683GB

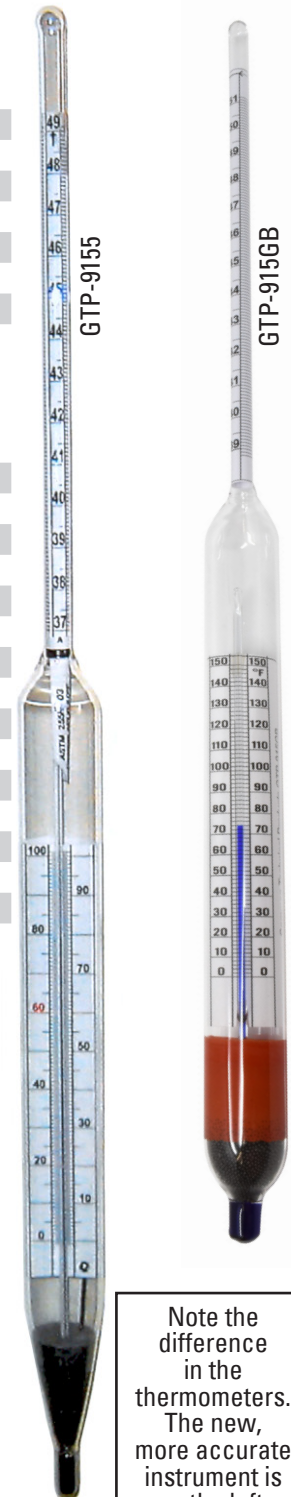
METRIC DENSITY RANGE

650/700 kg/m ³	NO	-	330	312H	GTP-1855
650/700 kg/m ³	-35 to +50° C	0.5°	380	-	GTP-1875-1
★ 700/750 kg/m ³	NO	-	330	313H	GTP-1856
700/750 kg/m ³	-20 to +65° C	0.5°	380	302HL	GTP-1876
700/750 kg/m ³	-35 to +50° C	0.5°	380	-	GTP-1876-1
★ 750/800 kg/m ³	NO	-	330	314H	GTP-1857
750/800 kg/m ³	-20 to +65° C	0.5°	380	303HL	GTP-1877
750/800 kg/m ³	-35 to +50° C	0.5°	380	-	GTP-1877-1
● 760/825 kg/m ³	NO	-	330	314H/315H	GTP-5904-1
● 760/825 kg/m ³	-20 to +65° C	0.5°	380	303HL/304HL	GTP-5909-1
■★ 775/825 kg/m ³	NO	-	330	321H	GTP-5904
● 775/825 kg/m ³	-20 to +65° C	0.5°	380	303HL/304HL	GTP-5909GB
■ 775/825 kg/m ³	-10 to +40° C	0.5°	395	345H	GTP-5909-2
★ 800/850 kg/m ³	NO	-	330	315H	GTP-1858
800/850 kg/m ³	-20 to +65° C	0.5°	380	304HL	GTP-1878GB
800/850 kg/m ³	-35 to +50° C	0.5°	380	-	GTP-1878-1GB

★ These hydrometers comply with BS 718-1991 L50 specifications.

These marks (■ , ●) may help you to select the hydrometers you should order. Hydrometers and thermohydrometers marked with these symbols have special ranges that avoid the need to purchase two instruments to cover the range for aviation fuels. ASTM has assigned special numbers and has officially approved them. For example, most jet fuels have an API gravity range that requires ASTM S555HL but there are some fuels that need ASTM S554HL to reach 37° API. So the new ASTM S561HL, with a range of 37-49°, covers all jet fuels. ASTM S562HL covers Avgas. Each symbol also indicates additional qualities as described below:

- For metric density, ASTM 321H covers the range from 775 to 825 kg/m³, avoiding the need to purchase two hydrometers, ASTM 314H & 315H. Likewise, for a thermohydrometer, ASTM 345H handles the range from 775 to 825 kg/m³ but its thermometer is graduated in 0.2°C increments. Unfortunately, the temperature range had to be limited to -10 to +40°C.
- For extremely hot climates, we offer instruments with a density range down to 760 kg/m³ but these do not carry official ASTM designations. Instead, they are marked as a combination of 314H/315H and 303HL/304HL.



Note the difference in the thermometers. The new, more accurate instrument is on the left.

SPECIAL HYDROMETERS AND THERMOMETERS FOR USE IN CLOSED CIRCUIT SAMPLERS, SUCH AS ALJAC BRAND

These hydrometers and thermometers have been shortened so they will fit in Aljac JM-3001 samplers when the lid is closed. Graduated spacings remain the same as ASTM instruments but the ranges have been shortened in some cases.

GTP-5904-2	Hydrometer, metric. 760-825 kg/m ³ , graduated in 0.5 kg/m ³ increments (no ASTM)
GTP-3312-1GB	Thermometer, -20 to +60° C, graduated in 0.2° C increments (ASTM 136C)
GTP-8708	Hydrometer, API, 37 to 49, graduated in 2° F increments (no ASTM)
GTP-8709	Thermometer, -5 to +140° F, graduated in 0.5° F increments (ASTM 136F)

POUNDS PER U.S. GALLON HYDROMETERS

Graduated to 0.01, 320mm length	<u>RANGE, LBS./GAL.</u>	<u>MODEL NO.</u>
	5.70-6.95 6.5-7.1	GTP-1695-1 GTP-1697-2

NOTE: Model GTP-1695-1 covers jet fuel and Avgas. GTP-1697-2 covers only jet fuel. No thermometers are included.

NON-MERCURY ASTM PRECISION THERMOMETERS AND THERMOHYDROMETERS PER ASTM E2995-14

For customers who prefer **non-mercury thermohydrometers**, add a suffix "B" to the part number for any instrument listed on the front page of this bulletin. Safe and easy non-hazardous clean-up in case of breakage.

SELECTING HYDROMETERS FOR YOUR FUEL

	<u>API GRAVITY</u>	<u>RELATIVE DENSITY</u>	<u>METRIC DENSITY</u>	<u>LBS PER U.S. GALLON</u>
Diesel/No. 2 Fuel Oil	25-40	0.82-0.90	825-904	6.87-7.53
Jet A - Jet A1	37-50	0.78-0.84	779-839	6.49-6.99
JP-4 - Jet B	43-64	0.72-0.81	724-810	6.03-6.75
Avgas - Motor Gasoline	64-76	0.68-0.72	682-724	5.68-6.03

ASTM SPECIFICATION E-1/E-100 COMPLIANT HYDROMETERS AND THERMOMETERS

Any of the hydrometers in this brochure may be furnished with a NIST Traceable Certificate of Calibration at extra cost, upon request. This certificate shows actual data at three test points as required by ASTM E-100 (for hydrometers) or the test points required by ASTM E-1 (for thermometers). Actual readings are resolved to 1/10 of the smallest scale division. The test methods and NIST standards that are used, as well as uncertainties of measurement and all other necessary data to maintain full traceability are provided.

This calibration is performed by an independent calibration laboratory which is accredited to the international standard ISO/IEC 17025. Copies of the laboratory's ISO 17025 Accreditation are available upon request for your qualified vendor files. To order this certificate, add the suffix "C" to our GTP number. There is an additional charge for this service.

CALCULATORS

API Gravity and Metric Density

These circular calculators eliminate the need for books of tables for making gravity or density corrections to standard temperature. Easy to use and very fast - about half a minute. See Bulletin 100.

AVIATION FUEL API GRAVITY TEST KIT GTP-8810GB



This Jet A & Avgas quality control tool kit includes:

- GTP-1073A High-density polyurethane hydrometer jar
- GTP-1682GB Non-mercury thermohydrometer ASTM S557HL
- GTP-1683GB Non-mercury thermohydrometer ASTM S558HL
- GTP-915GB Non-mercury thermohydrometer ASTM S555HL
- GTP-3012-1A Conversion calculator
- Flash drive containing GTP catalog and GamGrams

HYDROMETER CYLINDERS & ACCESSORIES

GLASS HYDROMETER CYLINDERS (also known as jars)



GTP-1073A

Non-breakable plastic. Take reading at top of jar - no need to see through the plastic. Overflow collector at top prevents spilling as hydrometer settles.



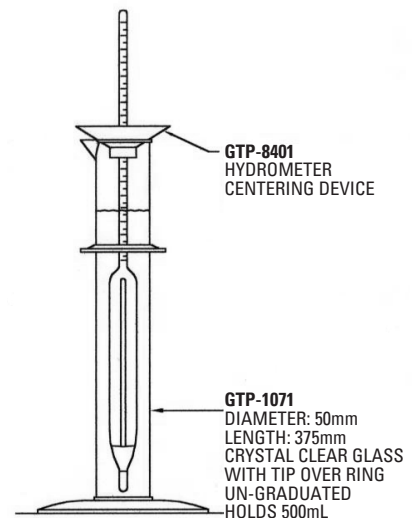
GTP-1071

Glass hydrometer jar with plastic tip-over ring to protect the glass (included).

COLRUD HYDROMETER CENTERING DEVICE GTP-8401



Eliminates errors caused by the hydrometer adhering to the side of the hydrometer jar. Loosely self-centering, this device dramatically reduces the time needed to obtain accurate readings, especially in outdoor conditions and for inexperienced personnel. Developed with Dave Colrud, an Alaskan fuel Q.C. expert for use in all conditions. Tested by a top laboratory to confirm that it causes no error. Precision machined, fuel resistant, high-density plastic.



ASTM THERMOMETERS

Certified to ASTM E-1 Specifications

	<u>RANGE</u>	<u>DIV.</u>	<u>LENGTH (MM)</u>	<u>ASTM NO.</u>	<u>GTP NO.</u>	<u>TYPE</u>
For tank level gauging:	-30 to +120° F	1°	300	S58F	GTP-1670B	non-mercury
	-34 to +49° C	0.5°	300		GTP-1671GB	non-mercury
For density or gravity:	-5 to +215° F	0.5°	420	S12F	GTP-2600B	non-mercury
	-20 to +102° C	0.2°	420	S12C	GTP-3312GB	non-mercury

Thermometer holder with cup and lid, equipped with metal backing to dissipate static charges through wire cable. Cable not supplied; order separately, specifying length. Lid of cup is hinged to open as it is lowered into fuel.

GTP-2126 Assembly: holder with ASTM thermometer 58F
 GTP-2127 Assembly: holder with ASTM thermometer 58C

Rejoining Mercury and Oil Separations in Thermometers



PLEASE UNDERSTAND - A separation of mercury in your thermometer is not a defect! It is a condition, normally caused by shock in transit, which of course must be rectified before using the thermometer, or you will experience significant errors in your readings.

There are two methods that you can use. The best way is by cooling. The more difficult way is by using heat. The object of both methods is to get the broken pieces of mercury into a chamber where they can rejoin. The bulb at the bottom is large enough to hold all of the mercury in the capillary when it is cooled in dry ice. If there are pieces of mercury left in the capillary after cooling, carefully tap it vertically on a padded surface. Allow the thermometer to warm naturally (do not heat it) in a vertical position, and observe the mercury column as it ascends into the capillary to be certain it is intact.

If dry ice is not available, you must use heat. Thermometers and thermohydrometers that are offered by Gammon Technical are made with an "expansion chamber" at the top of the capillary tube. The purpose of this chamber is to provide over-range protection in case the thermometer is heated beyond its scale range. This chamber may be used to rejoin separations provided that the amount of separated mercury is very small (not more than a few scale divisions in length). The thermometer should be heated in water that is warmed only slightly higher than its maximum reading. The objective is to apply **only enough heat** to urge the broken pieces of mercury into the expansion chamber, followed by a small portion of the main (intact) column. **DO NOT USE FLAME!** Great care must be taken to not fill the expansion chamber more than halfway, because the developed pressure can break the glass. Remove the thermometer from the heat, maintain it in a vertical position, and observe the mercury column as it retreats into the capillary to be sure it is intact.



GTP-2126