



**GAMMON TECHNICAL PRODUCTS, INC.**  
 P.O. BOX 400 - 2300 HWY 34  
 MANASQUAN, N.J. 08736

**PHONE 732-223-4600**  
**FAX 732-223-5778**  
**WEBSITE [www.gammontech.com](http://www.gammontech.com)**  
**STORE [www.gammontechstore.com](http://www.gammontechstore.com)**

**PRESSURE  
 GAUGES**

**BULLETIN 92  
 (11-20)**

## PRESSURE GAUGES

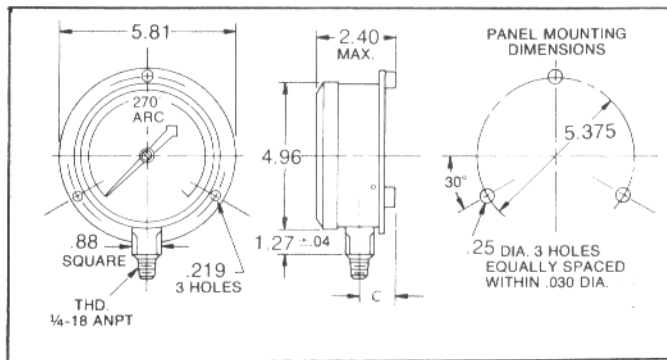
4 1/2" FACE, BACK FLANGE MOUNTED

MODEL No.	RANGE, PSI
GTP-281A	0-100
GTP-281B	0-160
GTP-281H	0-1000

### SPECIFICATIONS

CASE:	Cast aluminum with blowout grommet
BEZEL RING:	Polypropylene, snap-on
WINDOW:	Acrylic
POINTER:	Slotted hub, adjustable
BOURDON TUBE:	Phosphor bronze
CONNECTION:	1/4" NPT, brass
ACCURACY:	1% of span

### BACK FLANGE MOUNT



## 3-WAY VALVE FOR PRESSURE DROP TESTS

Model GTP-2305 3-Way Ball Valve was designed to assure you that pressure drop data will be obtained correctly. Now you can get reliable pressure drop data from inexperienced personnel.

Model GTP-2305 is made of stainless steel, sealed with PTFE o-rings.



### ORDERING INFORMATION

GTP-2305 3-Way Selector Valve, 1/4" NPT female



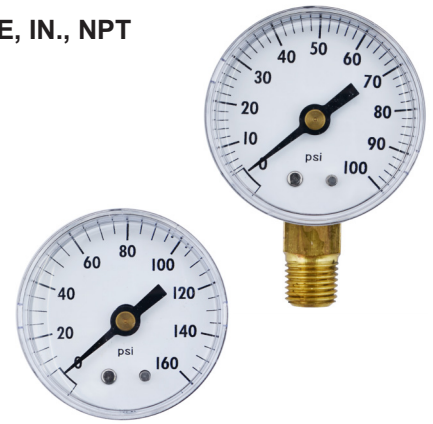
Protect your gauge investment with a snubber - reduce pressure pulsations which wear out your gauge. The snubber fits on the gauge connection and absorbs pressure surges.

GTP-2607S  
 GTP-2607B

Stainless steel snubber  
 Brass snubber

## 2" AND 2 1/2" FACE PRESSURE GAUGES

MODEL No.	FACE DIA.	RANGE, PSI	CONNECTION	SIZE, IN., NPT
GTP-2954C	2	0-160	Center back	1/4
GTP-686A	2	0-60	Lower	1/4
GTP-686B	2	0-100	Lower	1/4
GTP-686C	2	0-160	Lower	1/4
GTP-686D	2	0-300	Lower	1/4
GTP-2955C	2 1/2	0-160	Lower	1/4



### SPECIFICATIONS

CASE:	Steel
BEZEL RING:	Steel
CONNECTION:	Brass
ACCURACY:	3% of span

## STAINLESS STEEL STEM MOUNTED

MODEL No.	FACE DIA.	RANGE, PSI	SPECIFICATIONS
GTP-707D	2 1/2	0-300	CASE: Drawn 316 stainless steel
GTP-2956B	3 1/2	0-100	BEZEL RING: Drawn stainless steel
GTP-2956D	3 1/2	0-300	CONNECTION: 1/4" NPT, 316 stainless steel
			ACCURACY: 1% of span

## LIQUID FILLED PRESSURE GAUGES

Steady pointer reading even when pressure is pulsating or in cases of excessive vibration. All are silicone filled.

MODEL No.	RANGE, PSI	SPECIFICATIONS
GTP-5866	0-100	FACE: 4" diameter
GTP-5867	0-160	CASE: Stainless steel
GTP-5868	0-300	BEZEL RING: Steel
		CONNECTION: 1/2" NPT, brass
		MOUNT: Stem mounted
		ACCURACY: ±1%



MODEL No.	RANGE, PSI	CONNECTION
GTP-5873	0-100	Brass/bronze
GTP-5874	0-100	316 stainless steel
GTP-5875	0-160	Brass/bronze
GTP-5876	0-160	316 stainless steel

### SPECIFICATIONS

FACE:	2 1/2" diameter
CASE:	Stainless steel
BEZEL RING:	Steel
CONNECTION:	1/4" NPT
MOUNT:	Stem mounted
ACCURACY:	±3 2/3 %



MODEL No.	RANGE, PSI	SPECIFICATIONS
GTP-1174	0-100	FACE: 1 1/2" diameter
		CASE: Steel
		BEZEL RING: Steel
		CONNECTION: 1/8" NPT, brass
		MOUNT: Center back
		ACCURACY: ±3%